

EMPower Open Cupboard Base - 24"

ITEM # _____

MODEL # _____

NAME # _____

SIS # _____

AIA # _____



169030 (AV24)

EMPower Open Cupboard Base, 24" wide

Short Form Specification

Item No. _____

EMPower unit to be Electrolux Open Cupboard 24" (610 mm). EMPower unit to be installed below Electrolux top EMPower units. Construction in Stainless Steel. Right-angled side edges to allow flush fitting between EMPower units. Supplied with 6" (150 mm) height adjustable, removable legs. EMPower unit may be installed on castors.

Main Features

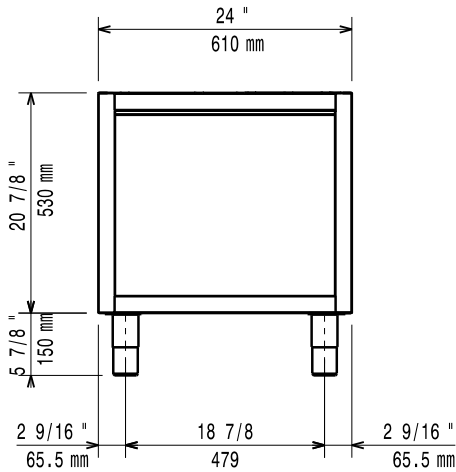
- Unit to be installed below Electrolux Professional top models.
- Right-angled side edges to allow flush fitting joints between units, eliminating gaps and possible dirt traps.
- Supplied with 6" (150 mm) height adjustable, removable legs.
- Unit may be installed on casters.
- Base compartment for storage of pots, pans, sheet pans, etc.
- Included Accessories: 4 pins for connection to top units.

Optional Accessories

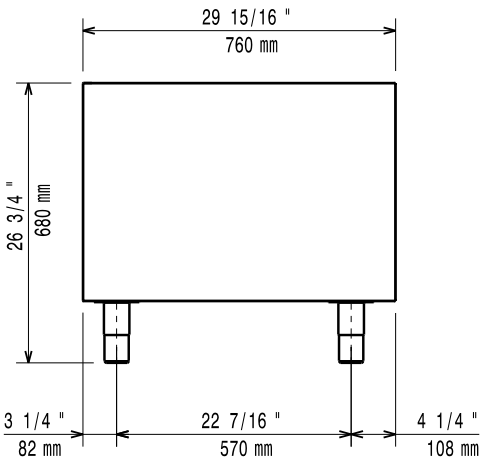
- Kit connecting bases - 2 plates and 2 wheels - 1 with brake. Suitable for pasta cookers, open bases and convection oven base PNC 169041
- EMPower kit of 2 side supports for shelf grids for 24" and 36" open cupboard bases PNC 169089
- EMPower shelf grid for 24" open cupboard base PNC 169091
- EMPower portioning shelf 12" PNC 169173
- EMPower portioning shelf 16" PNC 169174
- EMPower portioning shelf 24" PNC 169175
- Kit 4 wheels - 2 swiveling with brake PNC 206135

APPROVAL: _____

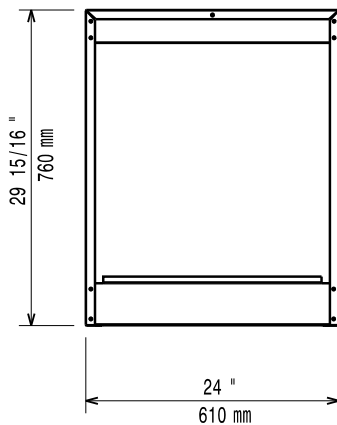
Front



Side



Top


Key Information:
External dimensions, Width:
169030 (AV24) 24 1/32" (610 mm)

External dimensions, Depth: 29 15/16" (760 mm)

External dimensions, Height: 26 11/16" (678 mm)

Net weight: 44 lbs (20 kg)

Shipping width: 26" (660 mm)

Shipping depth: 35 7/16" (900 mm)

Shipping height: 34 1/4" (870 mm)

Shipping weight: 71 lbs (32 kg)

Shipping volume: 18.25 ft³ (0.52 m³)